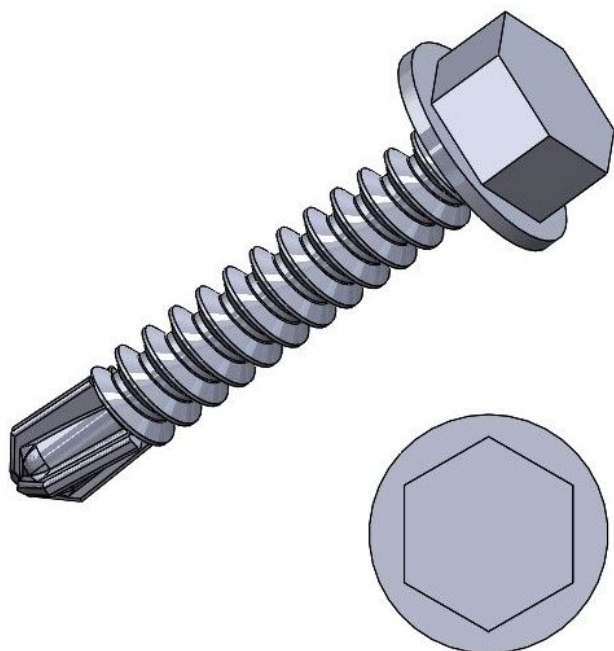


Overview

Teks-bolt galv. 5,5 x 25 mm DIN 7504K - PU = 500 pcs

Product number: 42000102





Fiberlane LLC.
9254 Richmond Road
US - 18013 - Bangor, PA
USA

Contact:
Telefon: +1 610 498 4474
Fax: +1 610 498 2602
E-Mail:
info@fiberlanellc.com

Description

- **Application:** Self-drilling screw for direct fastening into steel
- **Standard:** DIN 7504K
- **Dimensions:** 5.5 × 25 mm
- **Material:** Galvanized steel
- **Packaging unit:** 500 pieces

The **Teks bolt galv. 5.5×25 mm DIN 7504K** is a longer variant of the standard Teks screw, offering deeper penetration for thicker steel profiles. Its cutting tip eliminates the need for pre-drilling, making installation fast and efficient.