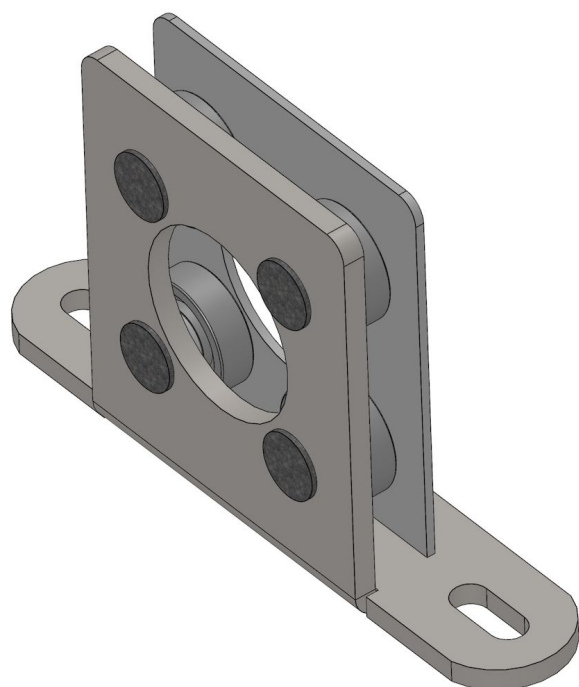


Overview

4 bearing shaft support 1" short - PU = 36 pcs

Product number: 25100101



Options

PU (Pcs)

Version

Description

- **Application:** Suitable for central drives in suspended and laid-out shading systems
- **Material:** Galvanized steel for high stability and corrosion resistance
- **Function:** Serves as the bearing point for the drive shaft and ensures precise positioning
- **Feature:** Short version for 34 mm pipes
- **Packing unit:** 36 pieces

The **4 Bearing 1" Short** is designed for central drives in suspended and laid-out shading systems. It acts as the bearing point for the drive shaft and ensures accurate alignment within the system.

Its compact design makes it ideal for 34 mm pipes, providing stable and reliable performance. The galvanized steel construction offers excellent durability and long-term resistance to environmental stress.