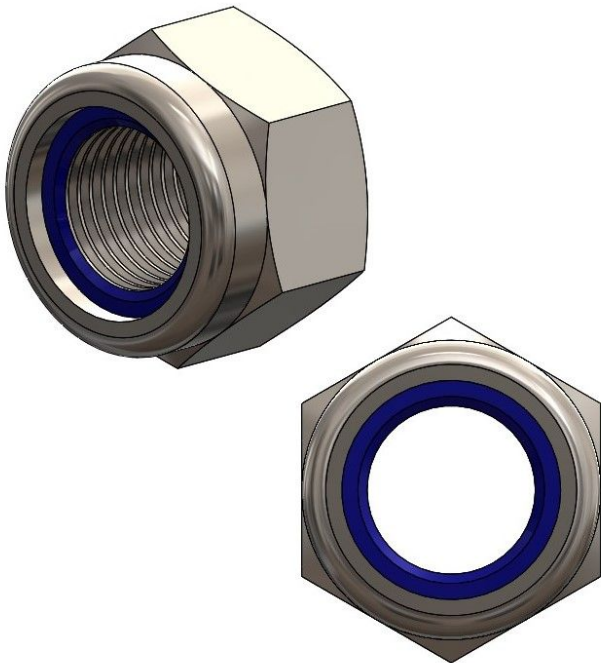


## Overview

# Nylock-nuts thin M 6 steel galv. ISO 10511 - PU = 100 pcs

Product number: 42200105





Fiberlane LLC.  
9254 Richmond Road  
US - 18013 - Bangor, PA  
USA

Contact:  
Telefon: +1 610 498 4474  
Fax: +1 610 498 2602  
E-Mail:  
info@fiberlanellc.com

## Description

- **Application:** Locking nut for vibration-resistant fastening
- **Standard:** DIN 985 / ISO 10511
- **Thread size:** M6
- **Material:** Galvanized steel with nylon insert
- **Packaging unit:** 100 pieces

The **Nylock-nuts thin M6 steel galv. ISO 10511** are designed to prevent self-loosening of screw connections. The integrated nylon ring enhances clamping force and ensures long-term fastening security in greenhouse environments.