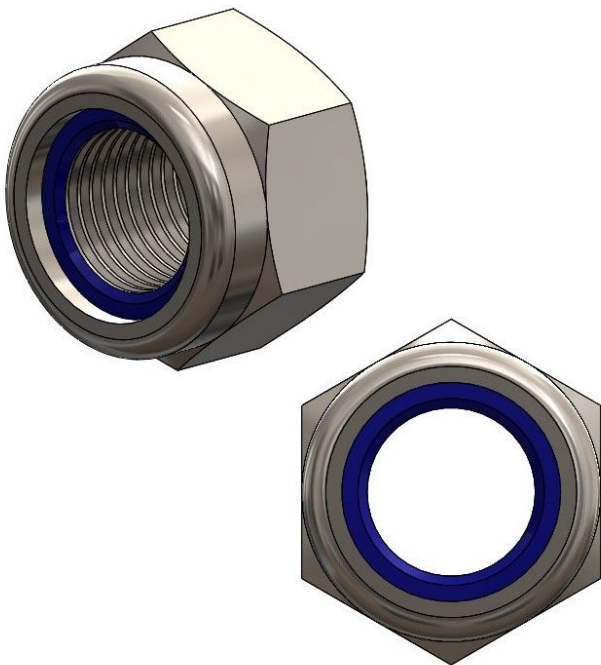


Overview

Nylock-nuts thin M 10 steel galv. ISO 10511 - PU = 100 pcs

Product number: 42200107





Fiberlane LLC.
9254 Richmond Road
US - 18013 - Bangor, PA
USA

Contact:
Telefon: +1 610 498 4474
Fax: +1 610 498 2602
E-Mail:
info@fiberlanellc.com

Description

- **Application:** Locking nut for vibration-resistant fastening
- **Standard:** DIN 985 / ISO 10511
- **Thread size:** M10
- **Material:** Galvanized steel with nylon insert
- **Design:** Thin profile
- **Packaging unit:** 100 pieces

The **Nylock-nuts thin M10 steel galv. ISO 10511** provide secure fastening in dynamic environments. The integrated nylon ring ensures excellent vibration resistance and prevents self-loosening.