

Overview

Cable pulley 75/8

Product number: 04200097-1

Options

PU

Version:



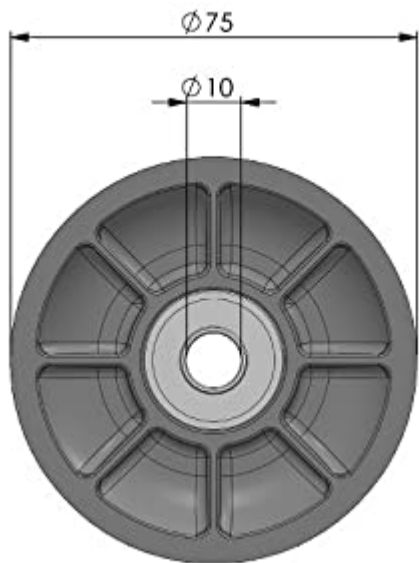
Description

Thanks to two ball bearings, the 75 mm pulley is guided particularly securely on the axle and has a high level of stability under shear loads.

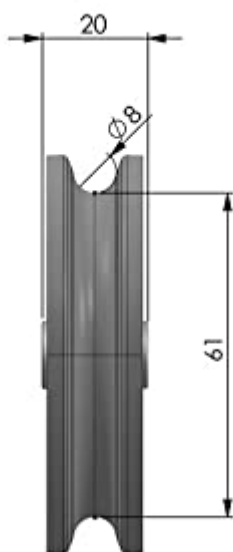
The integrated spacers make it particularly easy to mount the pulley. No extra spacers or washers are needed.



- Impact resistant pulley
- Two ball bearings with extended inner rings
- Load capacity: up to 350 kg
- Made in Germany



- Outer diameter: 75 mm
- compatible with 10 mm bolt



- Total width: 20 mm
- Rope diameter: up to $\varnothing 8$ mm