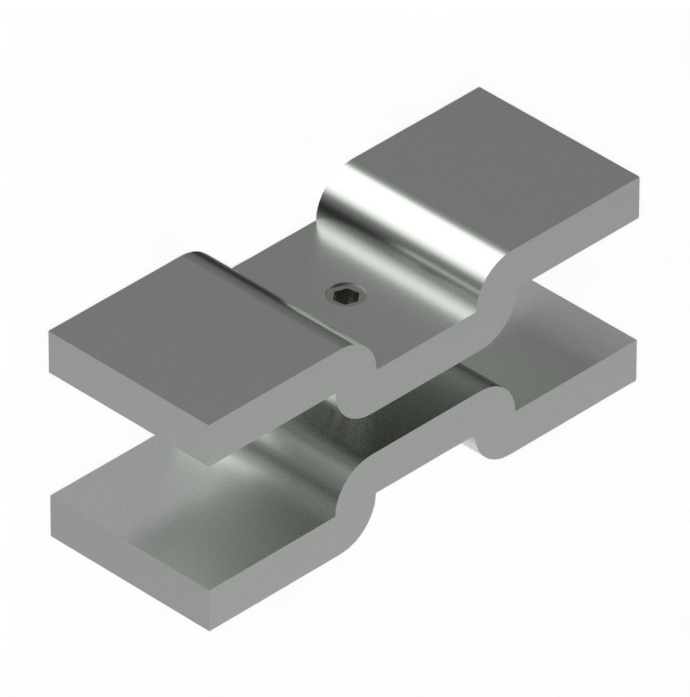


Overview

Square tube connector 50x50

Product number: 38020641





Fiberlane LLC.
9254 Richmond Road
US - 18013 - Bangor, PA
USA

Contact:
Telefon: +1 610 498 4474
Fax: +1 610 498 2602
E-Mail:
info@fiberlanellc.com

Description

- **Application:** Connects 50x50 mm square tubes in greenhouse shading system frames
- **Material:** Galvanized steel
- **Features:** Enables stable, weld-free connections - easy alignment and assembly

The **Square tube connector 50x50** is used to join square tubes in greenhouse shading system frames. It eliminates the need for welding and allows for faster, more precise installation. Made of galvanized steel for long-term durability.