

Overview

Cable pulley 75/8

Product number: 04300097-1

Options

PU

Version:



Image

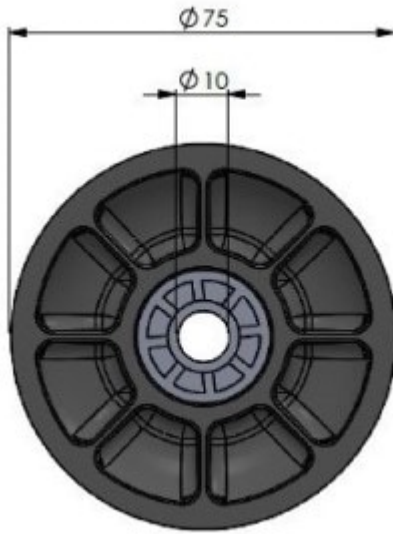
Description

Due to the extra wide plain bearing, the 75 mm pulley is guided particularly safely on the axle and has a high stability under shear loads.

Together with the plain bearing, the pulley is made of 100 % plastic and is therefore completely protected against corrosion and other environmental influences.



- Impact resistant pulley
- Plain bearing inserts
- Load capacity: up to 150 kg
- Made in Germany



- Outer diameter: 75 mm
- compatible with 10 mm bolt



- Total width: 20 mm
- Rope diameter: up to $\phi 8$ mm