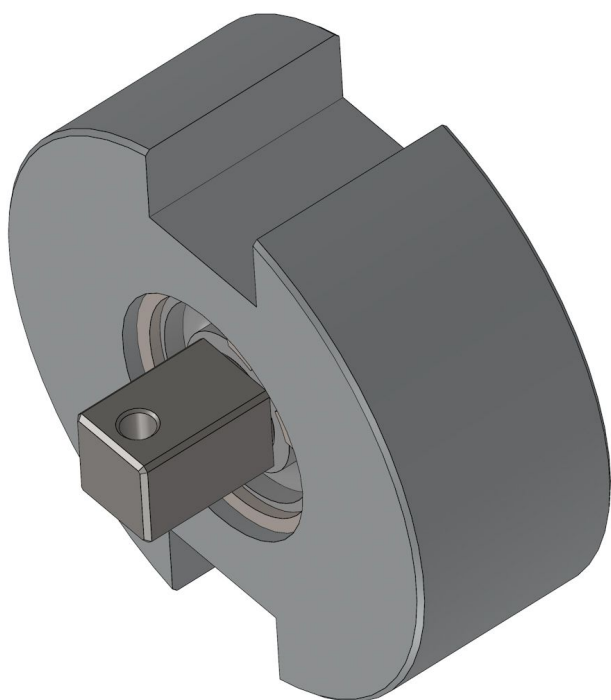


## Overview

# Endguide with bearing for tube motor 63 mm

Product number: 25250016



## Options

### Version

50 mm

63 mm

Image

## Description

- **Application:** Guides roll-up tubes on the side opposite the tube motor
- **Material:** Aluminum
- **Installation:** Inserted into the roll-up tube

The **Endguide with Bearing for Tube Motor 63 mm** performs the same guiding function as its 50 mm counterpart, but is designed for larger roll-up tubes. Its ball-bearing design ensures smooth operation and long-term durability in greenhouse shading systems.