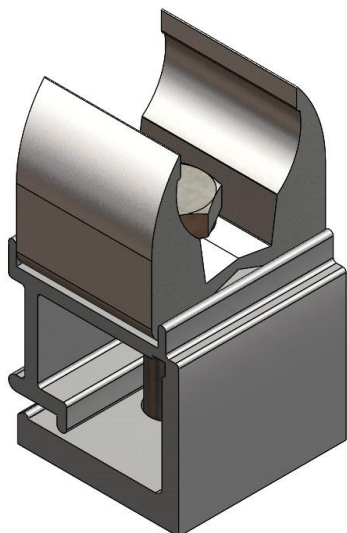


Overview

Alu-clamp set 26 mm - completed with bolt M6 x 35 - PU = 100 pcs

Product number: 03200000



Options

PU (Pcs)

Version

Image

Image



Description

- **Application:** Connecting drive cables to 19 mm tubes
- **Material:** Aluminum for high strength and corrosion resistance
- **Clamp Size:** 26 mm for secure fastening
- **Installation:** Preassembled with M6 x 35 screw for easy setup
- **Packaging Unit:** 100 pieces

The **Aluminum Saddle Clamp 19 mm + 26 mm Clamp** provides a proven solution for securely connecting drive cables to 19 mm tubes in shading and ventilation systems. Made from high-grade aluminum, it delivers excellent stability and corrosion resistance.

The preassembled 26 mm clamp ensures reliable hold, while the included M6 x 35 screw enables quick and effortless installation—ideal for professional applications.

With a packaging unit of 100 pieces, this saddle clamp is well-suited for large-scale installations and ensures lasting performance.