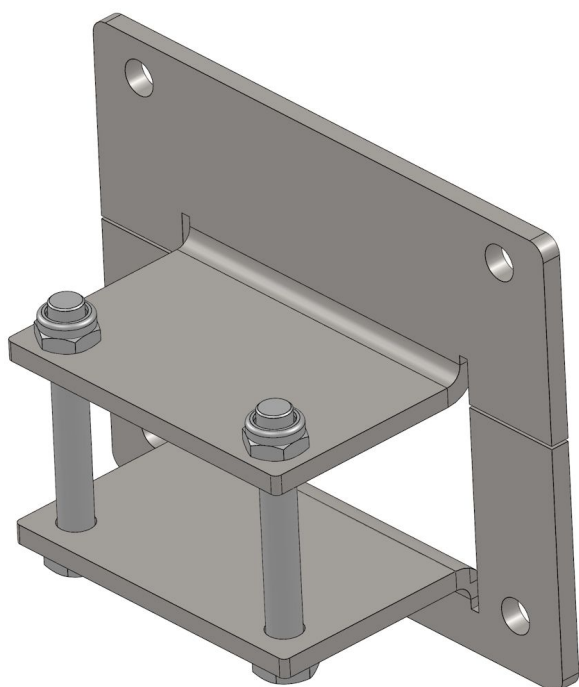


Overview

Motor mount TGU gearbox EWA12/14 - for suspended shading systems

Product number: 32135506





Fiberlane LLC.
9254 Richmond Road
US - 18013 - Bangor, PA
USA

Contact:
Telefon: +1 610 498 4474
Fax: +1 610 498 2602
E-Mail:
info@fiberlanellc.com

Description

- **Application:** Mounting Lock EWA12 and EWA14 gear motors in suspended greenhouse shading systems
- **Material:** Galvanized steel
- **Tube compatibility:** Square tube 50×50 mm
- **Special feature:** Compact design for easy integration

The **Motor Mount TGU EWA12/14** is a dedicated bracket for Lock EWA12 and EWA14 motors used in suspended shading systems. It provides a stable and corrosion-resistant mounting solution for square tube frames.