

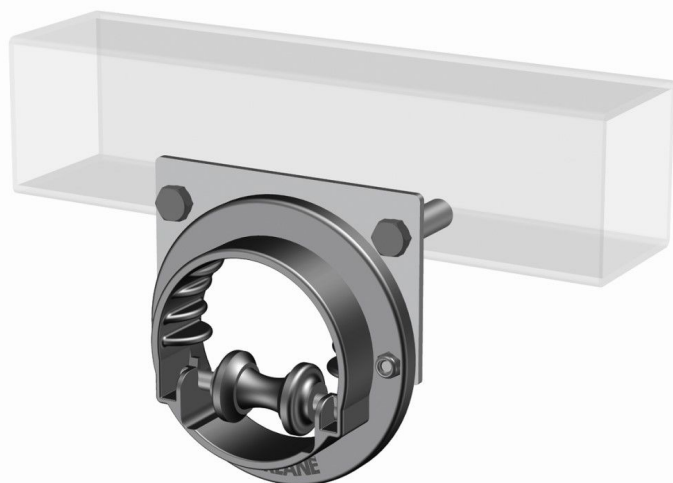
Overview

Diabolo roll 27.32 Set 3 with variable mounting plate

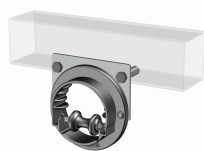
Product number: 04200500-1

Options

PU (Pcs)



Image



Image



Fiberlane LLC.
9254 Richmond Road
US - 18013 - Bangor, PA
USA

Contact:
Telefon: +1 610 498 4474
Fax: +1 610 498 2602
E-Mail:
info@fiberlanellc.com

Description

- **Application area:** Guidance of push rods in shading systems with push rod drive
- **Material:** Diabolo roller made of plastic, housing made of stamped sheet metal
- **Installation:** Rotatable plastic insert for flexible positioning
- **Special features:** Plastic fins for precise push rod alignment

The **Diabolo roll 27.32 Set 3 with variable mounting plate** is designed for precise guidance of push rods in shading systems with push rod drive. Thanks to its rotatable plastic insert, it can be used in various mounting positions.

The integrated plastic fins support accurate alignment of the push rod, ensuring stable and reliable operation.