

Overview

Endguide with bearing for tube motor 50 mm

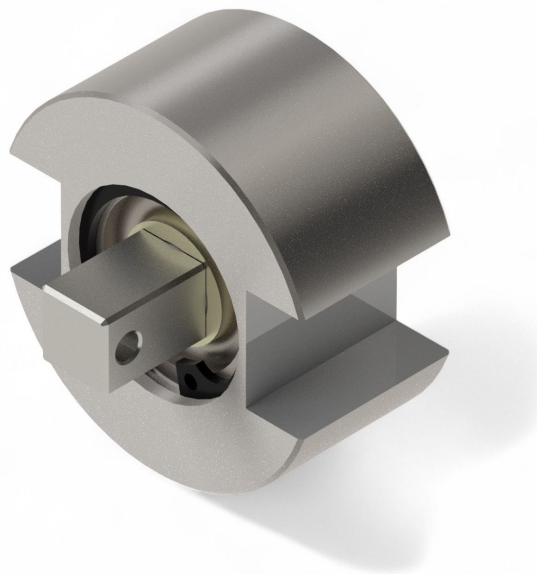
Product number: 25250015

Options

Version

50 mm

63 mm





Fiberlane LLC.
9254 Richmond Road
US - 18013 - Bangor, PA
USA

Contact:
Telefon: +1 610 498 4474
Fax: +1 610 498 2602
E-Mail:
info@fiberlanellc.com

Description

- **Application:** Guides roll-up tubes on the side opposite the tube motor
- **Material:** Aluminum
- **Installation:** Inserted into the roll-up tube

The **Endguide with Bearing for Tube Motor 50 mm** is a ball-bearing guide that ensures smooth and stable movement of roll-up tubes on the side opposite the motor. It is installed directly into the tube and provides long-lasting support for shading systems.