

Overview

Cable Pulley 90/8 with clamp - Pkg - 50 pcs

Product number: 04400096

Options

PU

1

Box



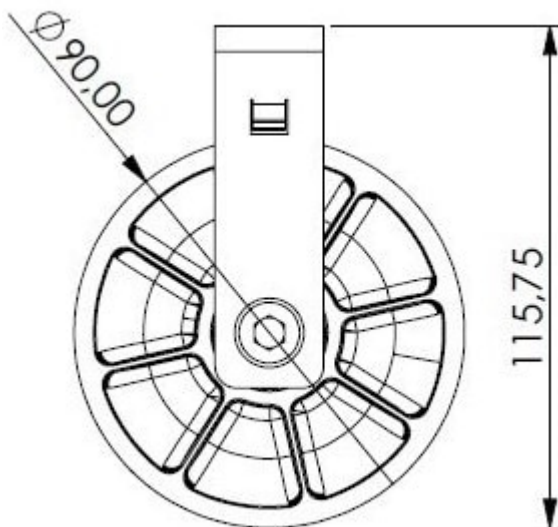
Description

Thanks to two ball bearings, **the 90 mm pulley** is guided particularly securely on the axle and has a high level of stability under shear loads.

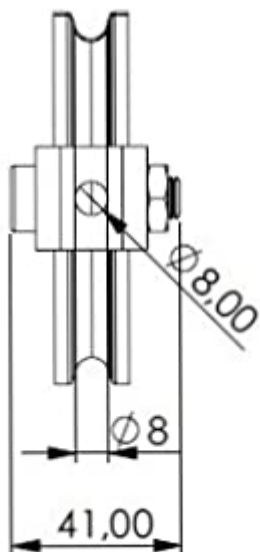
The galvanised steel bracket can be attached to your construction with an **M8 screw**. The retaining bracket can also be detached from the pulley to make installation **as easy as possible**, even in installation situations that are difficult to access.



- Impact resistant pulley
- Galvanised steel bracket
- Two ball bearings
- Load capacity: up to 350 kg
- Made in Germany



- Outer diameter: 90 mm
- Total height: 115,75 mm



- Total width: 41 mm
- Rope diameter: up to \varnothing 8 mm
- Fastening with M8 screw / bolt