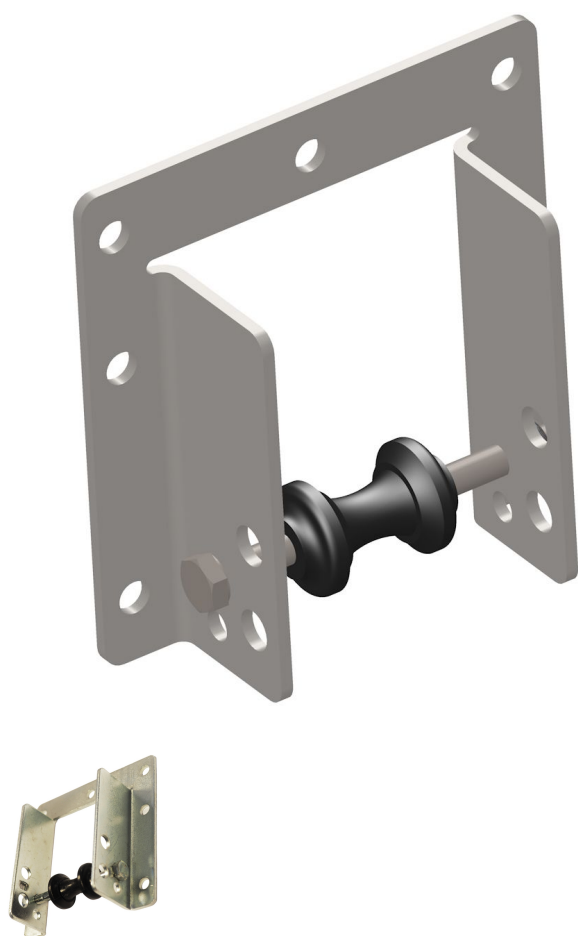


Overview

Diabolo-roll 27.32 with stamped metal housing

Product number: 04200400-1



Options

PU (Pcs)

Description

- **Application area:** Guidance of push rods in shading systems with push rod drive
- **Material:** Diabolo roller made of plastic, housing made of galvanized steel
- **Installation:** Secure fastening through robust housing design
- **Special feature:** Optimal guidance of push rods for smooth movement

The **Diabolo roll 27.32 with stamped sheet housing** is a proven solution for guiding push rods in shading systems with push rod drive. It ensures precise and smooth movement of the push rods, contributing to the optimal performance of the system.

The roller is made of high-quality plastic, while the housing is crafted from durable stamped sheet steel to ensure maximum stability and longevity. Its thoughtful design allows for secure installation and reliable guidance of the push rods.

Thanks to its robust construction and precise manufacturing, the diabolo roller is ideal for use in professional greenhouse installations.